



Technology Development Consultancy Center

developing **technology** made affordable™



EXPERTISE AVAILABLE

RESEARCH

Idea generation, finding solutions to technical and business process problems by liaison between North American & Asian resources, protecting intellectual property through patents.

DESIGN & DEVELOPMENT

Conceptual Design, Detailed Design, Prototype Development, Testing, Iterative Improvements, Production version

PROCESSES

Consultancy on business and technical processes

MINI-PROJECTS & TRAINING

Innovative projects by research interns, industrial training in collaboration with resources

RESEARCH, DEVELOPMENT & CONSULTANCY SOLUTIONS FOR CLIENTS IN INDIA & ABROAD

Technology Development Consultancy Center has pool of experts with national and international experience in Research, Development, and Consultancy.

- **Turnkey Solutions:-** Customer/ user specific solutions for industry, and grant agencies.

Sample Projects-

- **Hardware:-** Bio-technology Automation: DNA Arraying Robots for Biotech; Medical devices development in USA and Canada; Bio-medical process automation; Manufacturing Automation; Special Purpose Machine Tools: hybrid milling/ grinding of Silicon Carbide satellite mirrors.
- **Software:-** Customized Graphical User Interfaces using Labview™ and Qt™, Simulation, Animation and Modeling.
- **Business Processes:-** Methods to reduce the use of paper and plastic in advertising while increasing business and public services partnering internet service providers, retailers, and city administration.



*A global team
providing
local solutions*

For more information on any of our products or services, licensing, partnership, manufacturing/ supplier opportunities, research contracting, research internship or industrial training , please contact us.

BUSINESS PROCESSES & TECHNOLOGY DEPARTMENT

WWW.TECHNODEVELOP.COM

Technology Development Consultancy Center (TDCC), Stage-I, Peenya Industrial Estate, Peenya, Bangalore, INDIA- 560058; E-mail: projects@technodevelop.com; Phone: (080)23645565



Projects executed & products developed under expertise- currently TDCC resource:

AREAS OPEN UNDER INTERNSHIP & TRAINING PROGRAMME

Technology:

- Mechanical
- Computer science
- Information Technology
- Electronics
- Electrical
- Bio-technology
- Medical
- Electronics
- Telecom

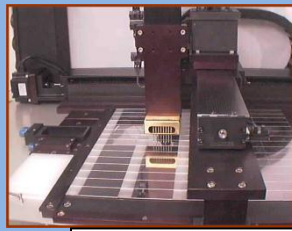
General:

- Management
- Applied Science
- Social Science

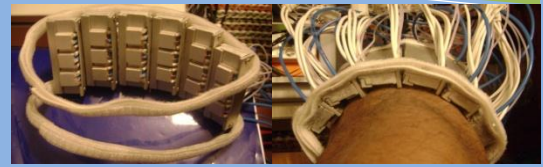
In collaboration with
TechnoDevelop Corporation
Canada



FlyWizer™: A Domestic Billboard for paperless flyers



DNA Arrayer Robot



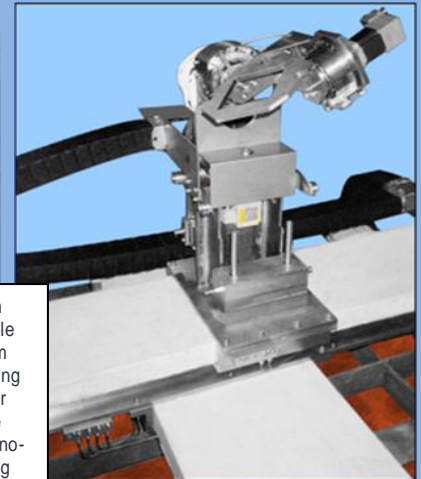
TPAD™: A Multi-point Stimulator



FAMS: A Five Axis CNC Machining System for High Precision Milling and Grinding of Silicon Carbide Satellite Mirrors



Surgery Simulator and Graphical User Interface



Vacuum Compatible Ion Beam Manipulating Robot for Satellite Mirrors Nano-Machining

Training & Development programme:

- Industrial training for college students for 3-6 weeks.
- Mini-projects improving self-learning skills, building resume, enhancing employability.
- Project internship for graduating students (Stipend may be provided based on performance).
- Selected innovative ideas will get the opportunity to be patented and the students will be named as co-inventor.
- Best intern awards for most innovative projects.
- Up to \$10,000 patenting expenses borne by the company for innovative ideas.
- Fee structure:
 - For industrial training: Rs. 5,000- 7,000*.
 - For mini-projects: Rs. 7,000- 10,000*.
 - For project internship: Rs. 5,000-10,000 depending on the project.
- * depending upon time of admission and duration.
- Further discount for students applying for both industrial training + Mini-projects.

One Billion Minds- only 0.4% of Global Patent Filing Share
Come- join the mission to improve patent productivity of India